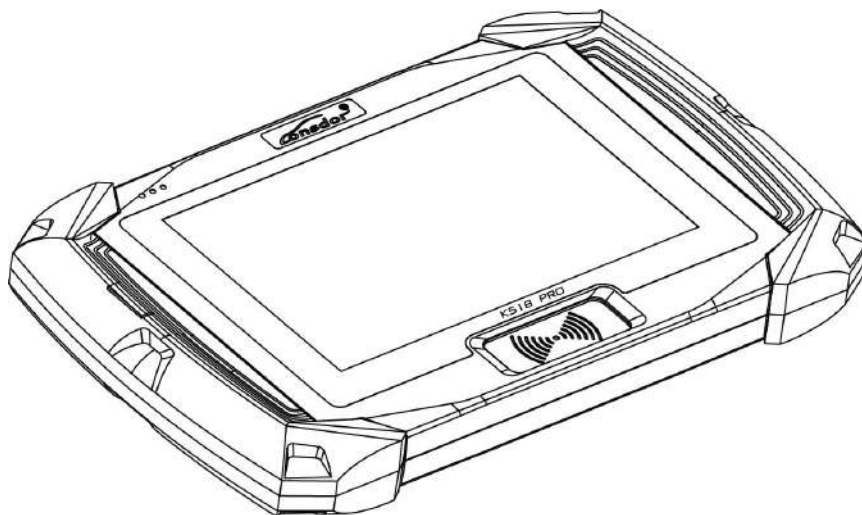


# **K518 PRO All-in-One Key Programmer**

# **User Manual**



★Please read it carefully before operation, keep it well for further refer.

## **Copyright**

Lonsdor's entire contents, including but not limited to products or services issued by itself or co-issued with cooperative companies, and the materials and software on Lonsdor's related websites, are copyrighted and protected by law.

No part of the above shall be copied, modified, extracted, transmitted or bundled with other products, sold in any way or by any means without the permission of Lonsdor. Any infringement of the company's copyright and other intellectual property rights, Lonsdor shall seize its liability according to law!

## **Disclaimer**

K518 PRO key programmer and related info, which should be used only for normal vehicle maintenance, diagnosis and testing, please do not use it for illegal purposes.

Lonsdor shall not assume any incidental or consequential damages or any economic damages arising from the accidents of individual users and the 3rd parties, as well as legal responsibilities, due to their misuse, unauthorized change or repair of the device, or abuse to violate laws and regulations. The product has a certain degree of reliability, but does not rule out the possible loss and damage. The risk arising from the user at their own risk. Lonsdor does not assume any risks and responsibilities.

Declared by: Lonsdor Dept of Legal Affairs

## Safety Instruction

Before using this product, please read this instruction carefully to know how to use it properly.

- (1) Do not hit, throw, acupuncture the product, and avoid falling, squeezing and bending it.
- (2) Do not use this product in damp environment such as bathroom, and avoid it being soaked or rinsed with liquid. Please turn off the product in circumstances when it' s forbidden to use, or if it may cause interference or danger.
- (3) Do not use this product while driving a car, so as not to interfere with safety driving.
- (4) In medical establishments, please follow the relevant regulations. In areas close to medical equipment, please turn off this product.
- (5) Please turn off this product near high-precision electronic equipment, otherwise the equipment may malfunction.
- (6) Do not disassemble this product and accessories without authorization. Only authorized institutions can repair it.
- (7) Do not place this product and accessories in appliances with strong electromagnetic fields.
- (8) Keep this product away from magnetic equipment. The radiation from magnetic equipment will erase the info/data stored in this product.
- (9) Do not use this product in places with high temperature or inflammable air(such as near gas station).
- (10) When using this product, please comply with relevant laws and regulations, and respect the privacy and legitimate rights of others.

# Table of Contents

<b>Copyright and Disclaimer</b> .....	P2
<b>Safety Instruction</b> .....	P3
<b>Lonsdor K518 PRO</b> .....	P5
<b>1 Registration Guide</b> .....	P5
<b>2 Product Overview</b> .....	P6
2.1 Introduction .....	P6
2.2 Software/Hardware Advantages.....	P6
2.3 Function Superiority.....	P6
2.4 Product Parameter.....	P7
2.5 Product List.....	P7
2.6 Product Appearance.....	P8
2.6.1 K518 PRO Main Unit.....	P8
2.6.2 OBDII Cable.....	P9
2.6.3 Simu-Antenna.....	P11
2.6.4 KPROG Adaptor.....	P12
2.7 Functions Display.....	P13
2.7.1 Home Menu Interface.....	P13
2.7.2 Special Functions Interface.....	P14
2.7.3 System Settings Interface.....	P15
2.7.4 Function Operation Interface.....	P16
<b>3 Aftersales Service</b> .....	P17
<b>Warranty Card</b> .....	P20

# Lonsdor K518 PRO

## 1. Registration Guide

Note: after booting the device, please set and connect WiFi well, then go through the registration&activation process.

New user:

- ① For the first use, please prepare an available mobile phone or E-mail to help finish device registration and activation, click OK to start;
- ② Boot the device and enter registration&activation process;
- ③ Enter user name, password, mobile number or E-mail to get verification code, then enter the code and submit registration;
- ④ New account is registered successfully, set the device's power-on password;
- ⑤ Submit the info, apply for binding the account to the device;
- ⑥ Verified by the server, successful registration;
- ⑦ Initialize menu and etc;
- ⑧ Reboot and enter the device system.

Registered user:

- ⑨ For the first use, please prepare the corresponding mobile phone or E-mail of the registered account to help finish device registration and activation, click OK to start;
- ⑩ Boot the device and enter registration&activation process;
- ⑪ Enter the registered mobile number or E-mail to get verification code, then enter the code and submit login;
- ⑫ Account login successful, set the device's power-on password;
- ⑬ Submit the info, apply for binding the account to the device;
- ⑭ Verified by the server, successful registration;
- ⑮ Initialize menu, etc;
- ⑯ Reboot and enter the device system.

## **2. Product Overview**

### **2.1 Introduction**

Product Name: K518 PRO All-in-One Key Programmer

Product Description: K518 PRO, as 2nd generation of K518 launched by Lonsdor, is a fast, easy-to-use, and ultra-portable immobilizer and key programming device. The Android-based touchscreen tablet features powerful quad-core processor, intuitive design and straight-forward interface. Integrated with all features of its predecessor, K518 PRO adds more advantageous functions, including immobilization, odometer adjustment, remote/smart key generation, adaptor, chip identify and copy, key chip generation, frequency detection, ignition coil detection, Toyota smart key settings, one-key update, push function and etc.

### **2.2 Software/Hardware Advantages**

- ✓ Trendy tablet design with support frame, better user experience;
- ✓ Based on Android 8.1, more optimized operation experience;
- ✓ CPU with Quad-core Cortex-A35, stronger computing power;
- ✓ Excellent and powerful ultra-high energy consumption ratio;
- ✓ The first to support 8A(H chip) chip generation;
- ✓ Added support for CANFD and Ethernet protocols.

### **2.3 Function Superiority**

- ✓ More comprehensive functions and features based on K518;
- ✓ Wide model coverage, luxury, domestic and popular cars are all supported;
- ✓ Programming directly via OBD, no need networking and PIN code for most models.

## 2.4 Product Parameters

Operation system: Android 8.1

Processor: Rockchip PX30

Memory: Ram 2G flash 8G

Display: MIPI 800\*1280

WiFi: IEEE 802.11b/g/n

USB: USB2.0

Bluetooth: 5.2

SD Card: support plug and unplug

Battery: 5800mAh

Input Voltage: 12V

Shell Material: PC hard shell+TPR60°

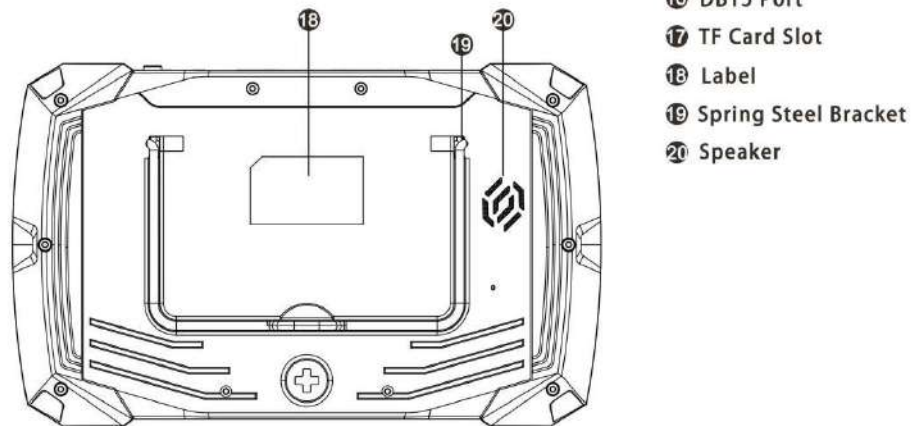
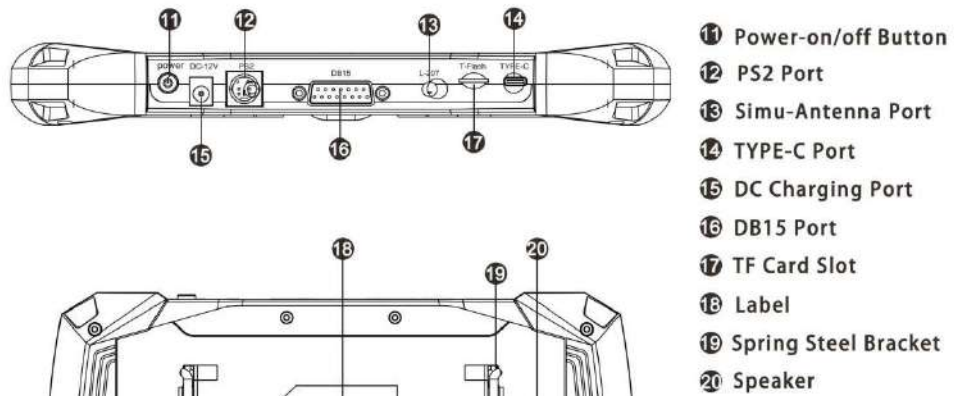
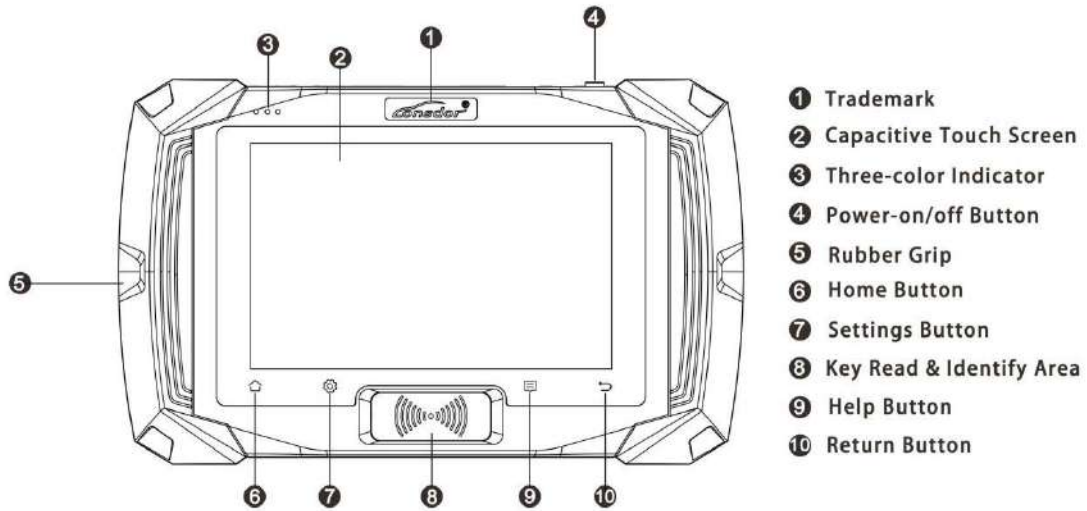
Dimension: 26\* 3 \*16CM

## 2.5 Product List

<b>Items</b>	<b>Qty</b>
<b>Portable Bag</b>	<b>1</b>
<b>Main Host</b>	<b>1</b>
<b>OBD II Cable</b>	<b>1</b>
<b>12V Power Adaptor</b>	<b>1</b>
<b>Type-C USB Cable</b>	<b>1</b>
<b>Simu-Antenna</b>	<b>1</b>
<b>User Manual</b>	<b>1</b>
<b>Certificate</b>	<b>1</b>
<b>Extra Connector</b>	<b>3</b>

## 2.6 Product Appearance

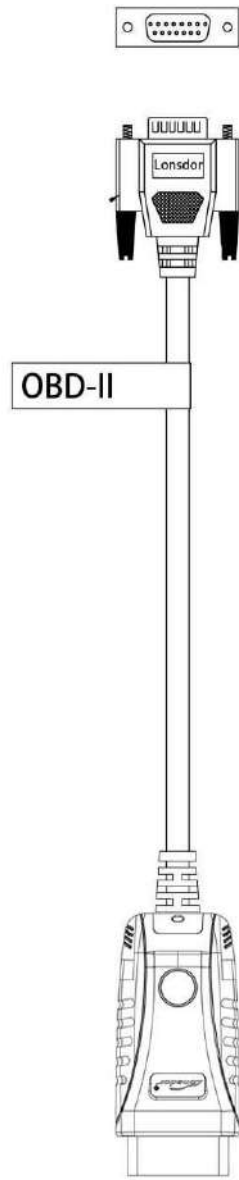
### 2.6.1 K518 PRO Main Unit



## K518 PRO Main Unit Appearance

## 2.6.2 OBDII Cable





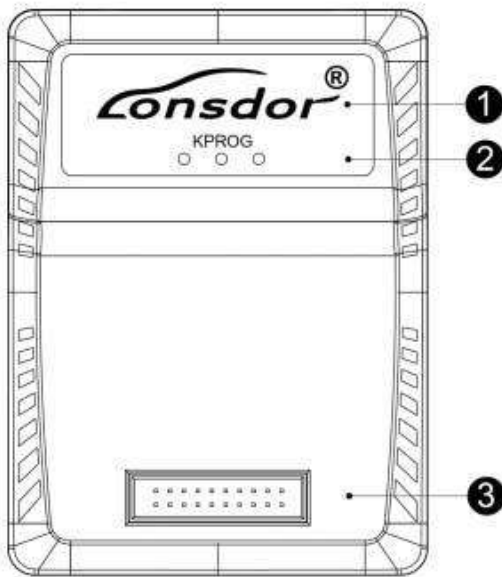
# OBDII Cable

### 2.6.3 Simu-Antenna

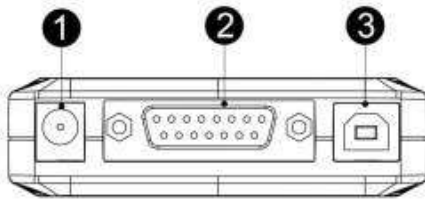


**Simu-Antenna**

### 2.6.4 KPROG Adaptor (NS)



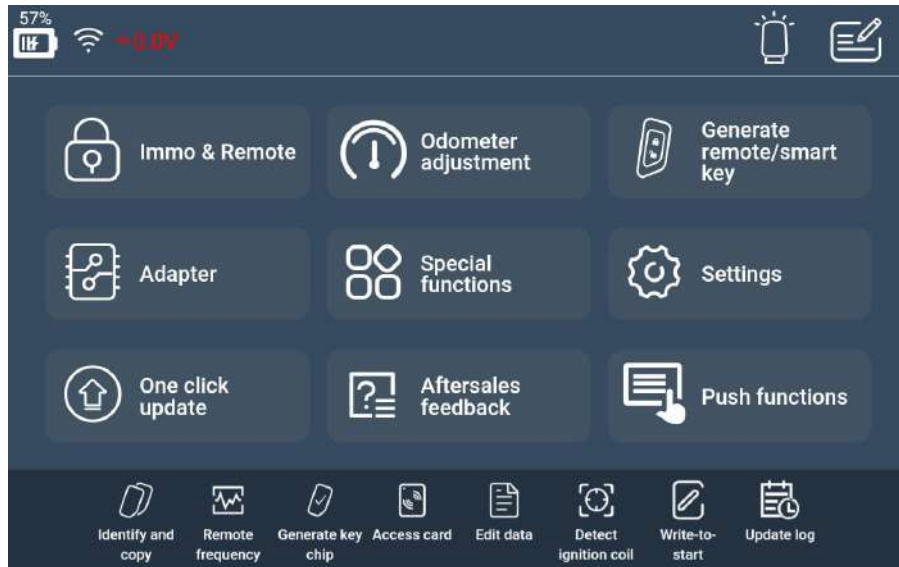
- ① Trademark
- ② Three-color Indicator
- ③ Simple Horn Seat



- ① Power Interface
- ② DB15 Port
- ③ USB Port

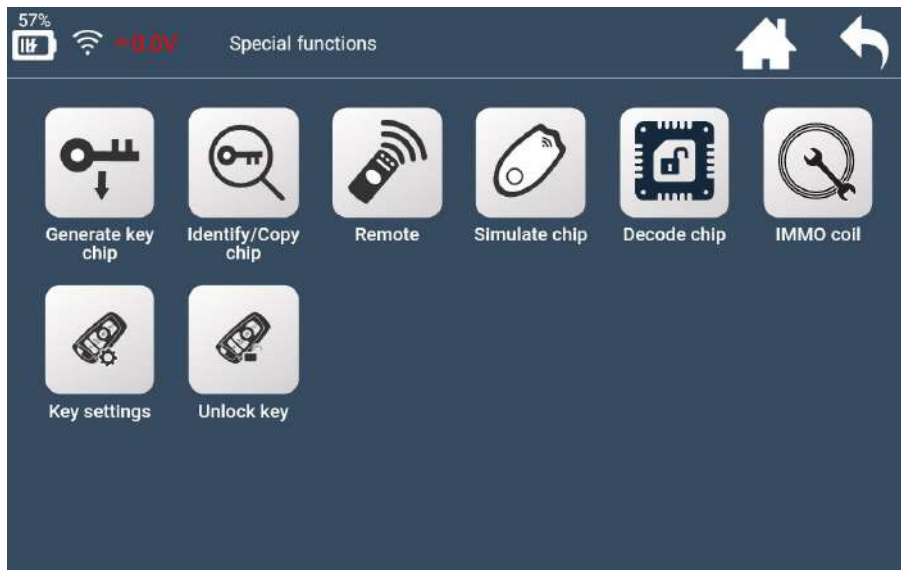
## 2.7 Function Display

### 2.7.1 K518 PRO Home Interface



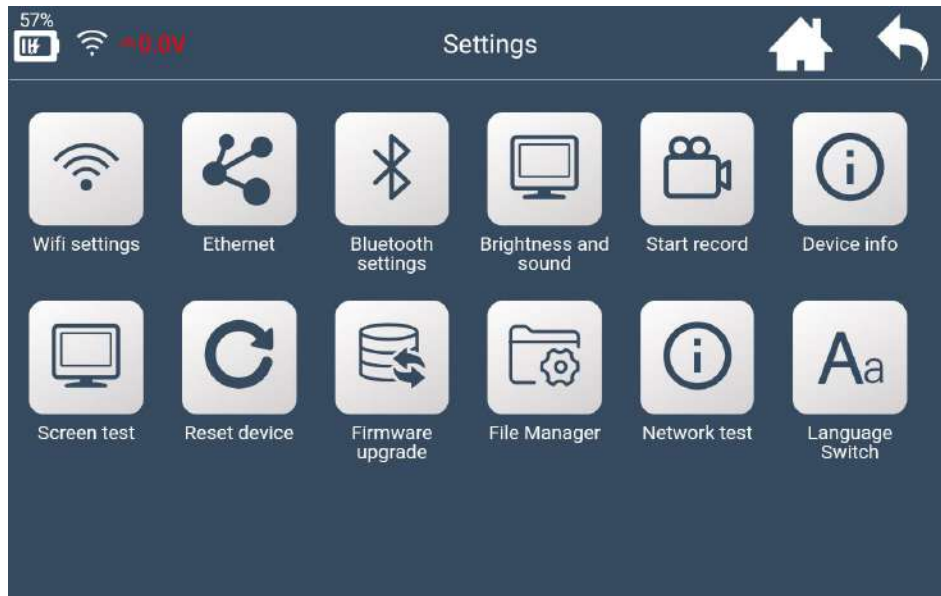
Function	Description
Immo & Remote	Program mechanical key/smart key/remote and other functions. Support a vast majority of vehicle models on the market, regularly add new models
Odometer adjustment	Mileage diagnosis and correction for some models
Generate remote/smart key	Support smart key generation for some models, remote generation for most vehicle models, and garage door remote generation
Adapter	Read and write EEPROM chip/CPU main control chip, read EEPROM Pin code, etc.
Special functions	Include functions: identify and copy key chip, generate key chip, detect remote frequency, simulate chip, decode chip, detect IMMO coil, key settings, access control card, etc
Push Functions	Push the designated function program to user, which will be automatically disabled when expired. Contact us to acquire functions not opened or not activated yet
OBD Illumination	OBD cable connector's light can be switched on/off
Aftersales feedback	Userscan feedback problems encountered to us
Aftersales feedback message board	On the message board, user can see our reply to all the questions after giving feedback, and inquiry further if any doubt

## 2.7.2 K518 PRO Special Functions Interface



Function	Description
Generate key chip	Support 4D, 46, 48, 7935, 8A and more chips to generate specific car key chips
Identify/Copy chip	Identify key chip info and status of almost all cars on the market
Remote	Detect frequency of remote key
Simulate chip	Mainly LKE functions, include: simulate 4D/46/8A chip, bind LKE and obtain LKE info, etc
Decode chip	Support 46 and 4D chip decoding
IMMO coil	Detect if immo coil has signal, and identify key type in AKL situation as well
Key settings	Set Lonsdor 8A and 4D smart key type
Unlock key	Unlock Toyota 8A smart key

### 2.7.3 K518 PRO System Settings Interface



Function	Description
Wifi settings	Set WIFI connection
Ethernet	Display Ethernet card status, network connection status, MAC/IP address, etc
Bluetooth settings	Set Bluetooth connection status
Brightness and sound	Set screen brightness and auto-off screen time
Start record	Click to start recording, or close demo video
Device info	View device ID, PSN, hardware/kernel version and other info
Screen test	Screen touch diagnosis
Firmware upgrade	Include APK update, kernel upgrade, etc
Reset device	Reset the device, situations like program error, system crash, communication failure, can be returned to normal state
File manager	View and manage files
Network test	Test network when when it is unstable

## 2.7.4 K518 PRO Function Operation Interface



Function	Illustrate each function, and the necessary tips for certain functions
Operation	Give concrete guide for each step, pics and notices attached if necessary
Attention	Emphasize tips and notices for functions, as well as user possible overlook during operation which may cause program failure
Reference	Provide the basic information like chip type, frequency, key embryo no. , PIN code requirement, car photo, OBD position and other related info
QR code	Scan QR code to view HELP instructions while programming key
Demo	Demo record and user record process
Feedback	Feedback function problems in time
Version	Detect the latest version of current interface function

### 3. Aftersales Service

- (1) Our company will provide you with superior after-sales service and warranty service within agreed time.
- (2) The warranty period lasts 12 months since device activation date.
- (3) Once the product is sold, return and refund is not acceptable if no quality problem.
- (4) For product maintenance beyond the warranty coverage, our company will charge labor and material costs.
- (5) If the device breaks down or gets damaged due to any of the following reasons, our company reserve the right not to provide service based on the agreed terms (but you can choose paid service):
  - ※ The entire device and components are beyond the warranty period;
  - ※ Product surface is found flawed or damaged due to user operation (not quality problem);
  - ※ Counterfeit, without certificate or invoice, our official back-end system can not authenticate the device info;
  - ※ Damages due to fail to follow the instructions on operation, use, storage and maintenance in this manual;
  - ※ Damages and faults caused by private disassembly or by improper repair and maintenance of the maintenance company unauthorized by Lonsdor;
  - ※ Liquid inflow, moisture, falling into water or mildewing;
  - ※ The newly purchased device works normally without any damage when unpacked for the first time. But with the prolonged time of use, screen damage occurs, such as screen explosion, scratching, white spots, black spots, silk thread screen, touch damage, etc.

- ※ Damage by using specific tools and accessories not provided by our company;
  - ※ Force majeure;
  - ※ For the man-made damaged device, if you choose no repair service after we disassemble it and make a quotation, the device appears unstable conditions(such as: boot failure, system crash, etc) when you receive it;
  - ※ Private cracking of the system causes function changes, instability, and quality damage, etc.
- (6) If the auxiliary parts and other parts(other than the main components of the device) are faulty, you can choose paid repair service provided by our company or our authorized customer service outlets.
  - (7) Our company will perform repair after receiving your device and confirming its problems, so please fill in the problems in details.
  - (8) After repair finished, we will return the device to you, so please fill in the correct delivery address and contact number.
  - (9) Customers who needs to send the device for repair, shall bear the cost such as round-trip delivery cost, transportation cost and etc. If the device gets damaged in the process of delivery, our company shall not bear correlative fees. In particular cases, we will assist the customer to claim for compensation against the shipping company.
  - (10) Our company do not provide sales invoice to individual in any form. Please ask the dealer you purchased from to invoice you if required..
  - (11) Please keep the warranty card properly, and fill in the card when returning your device for repair, so that we can go through relevant work procedure(the warranty card attached to the end of the manual).

Aftersales service hotline: 400-966-9130

WhatsApp: +8618938676302/+8618814486441

Skype: live:.cid.22a25301c379a13e/live:.cid.36e93bd8b6197a30

Service time (GMT+8): China time from 8:30am to 6:00pm (legal holidays off).

Website: [en.lonsdor.com](http://en.lonsdor.com)    E-mail: [service@lonsdor.com](mailto:service@lonsdor.com)



Lonsdor WeChat account



Lonsdor website QR code

## Product Warranty Card

Customer name: \_\_\_\_\_ ( Mr/Miss )

Phone No.: \_\_\_\_\_

Customer address: \_\_\_\_\_

\_\_\_\_\_

Device model: \_\_\_\_\_

Serial No.: \_\_\_\_\_

Returned items (details): \_\_\_\_\_

\_\_\_\_\_

Problem description in details: \_\_\_\_\_

\_\_\_\_\_

\_\_\_\_\_

Sending date: \_\_\_\_\_

(Note: our company reserves the final interpretation right for the above terms.)